

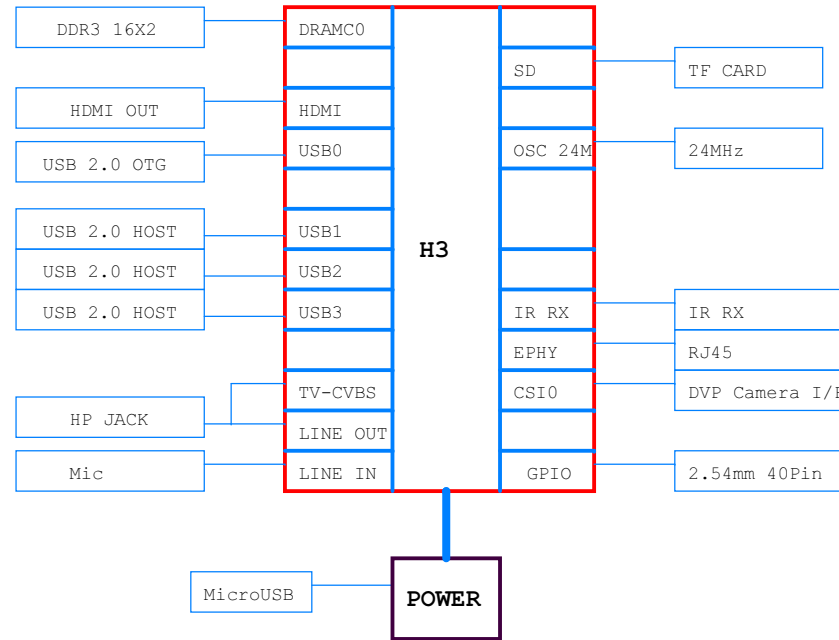
pcDuino4 Nano

Revision

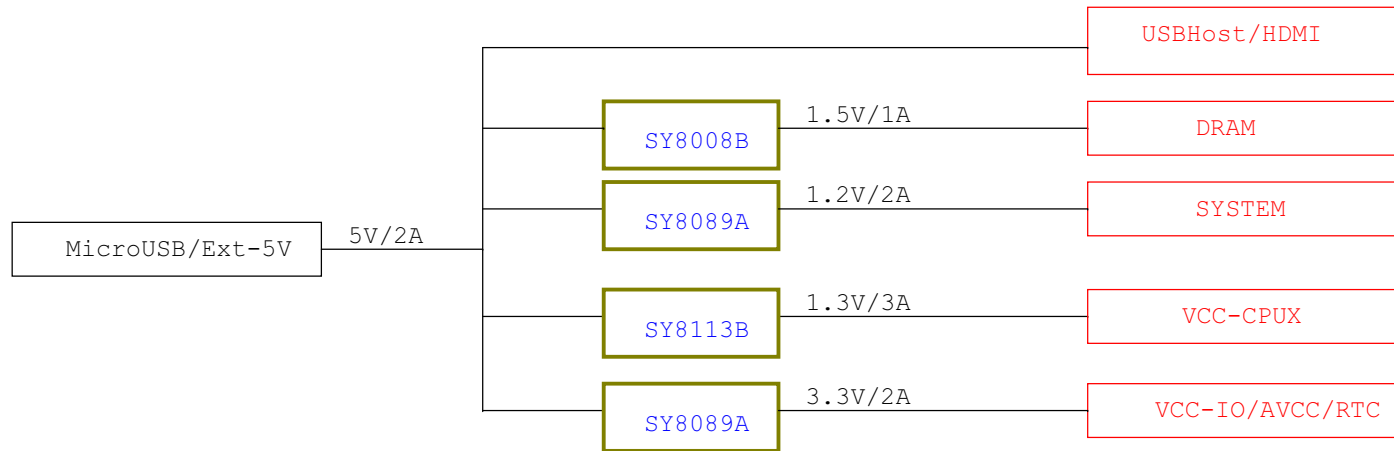
1603 , First Release
1603B, 1.Change IR reciver to VS1838B
2.Change DC/DC
3.Remove RTC OSC
4.etc

pcDuino4 Nano		
Size A3	Document Number 01:Title	Rev 1603B
Date:	Monday, April 18, 2016	Sheet 1 of 12

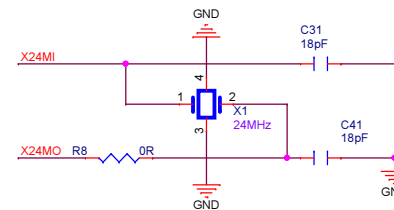
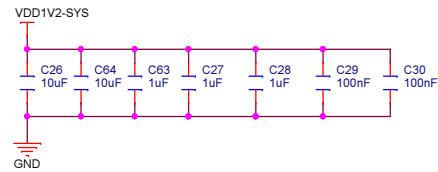
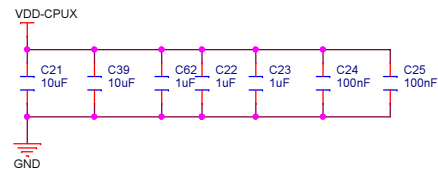
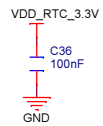
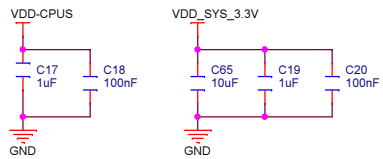
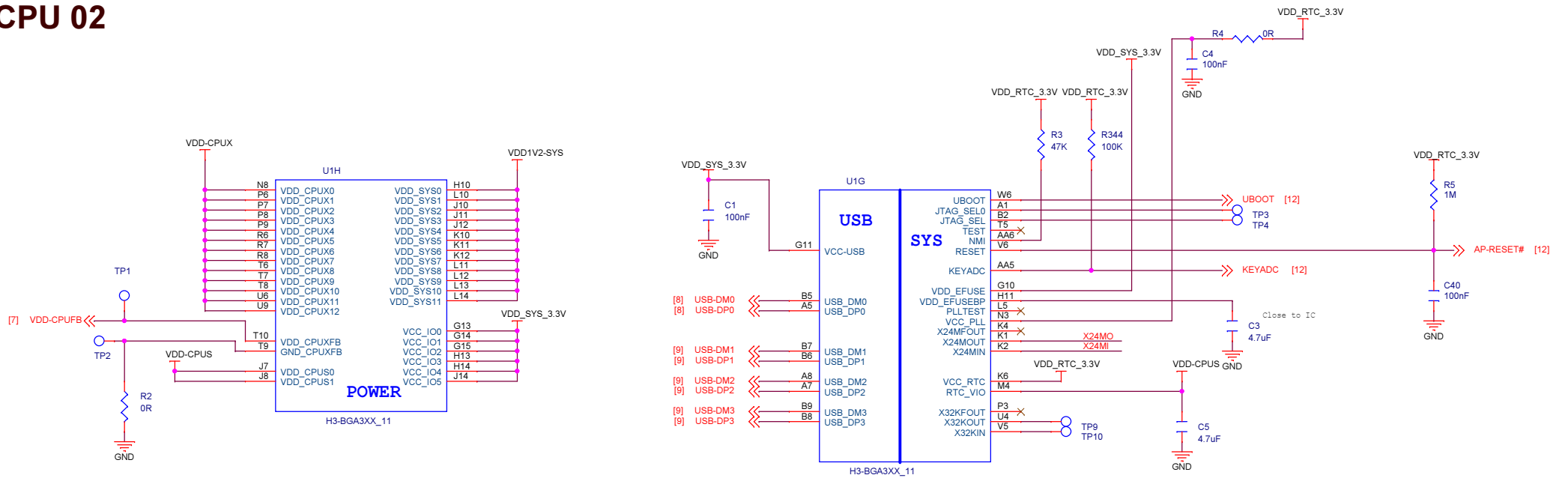
BLOCK



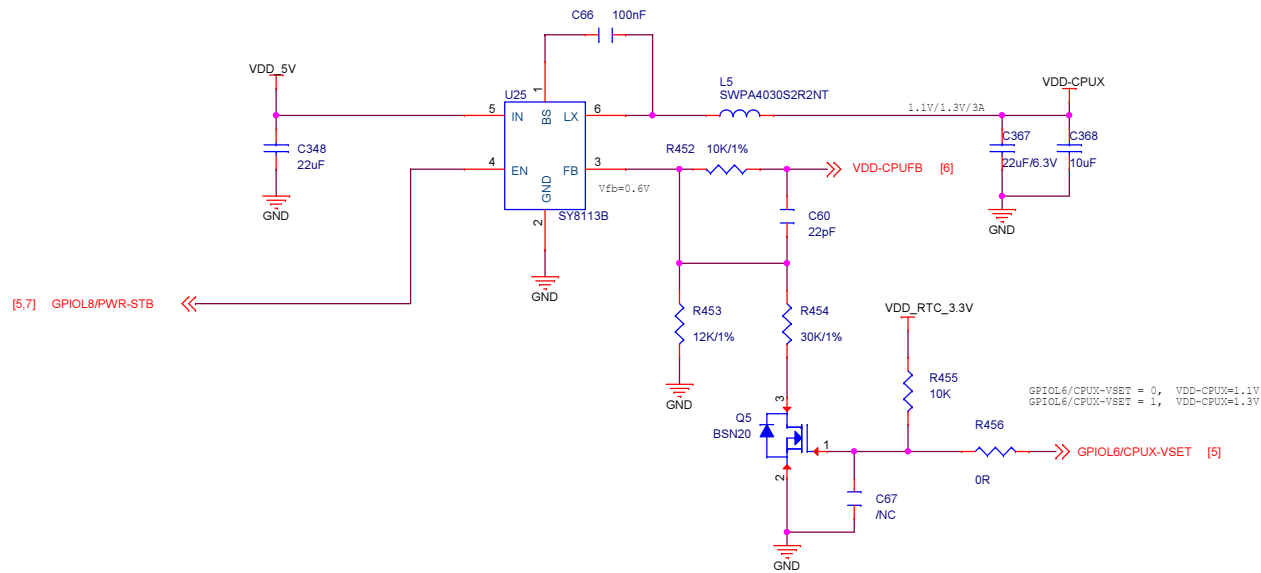
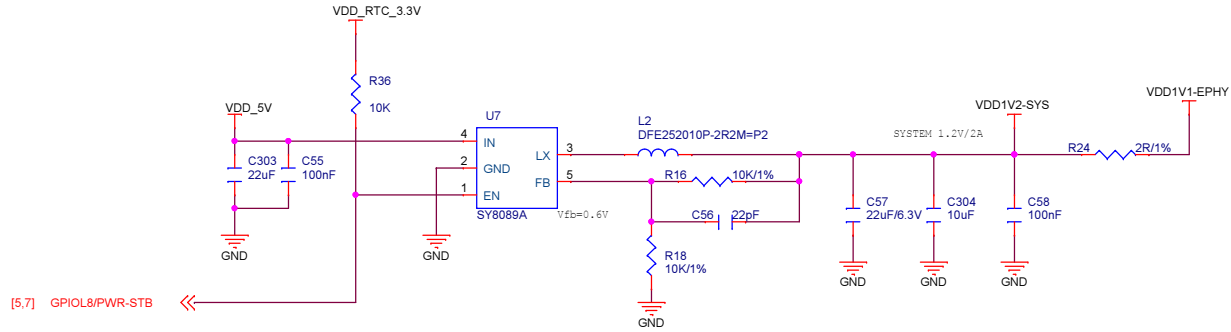
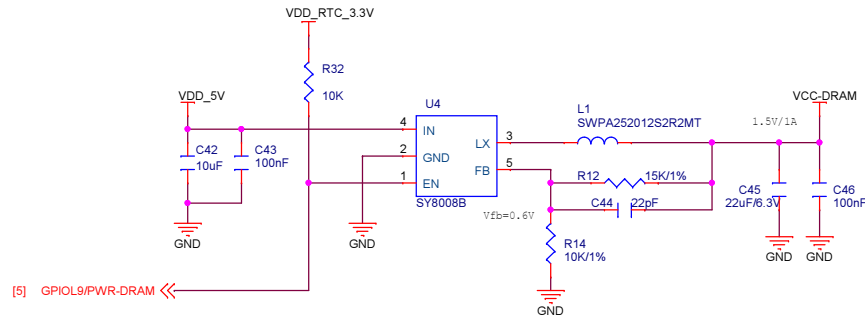
POWER TREE



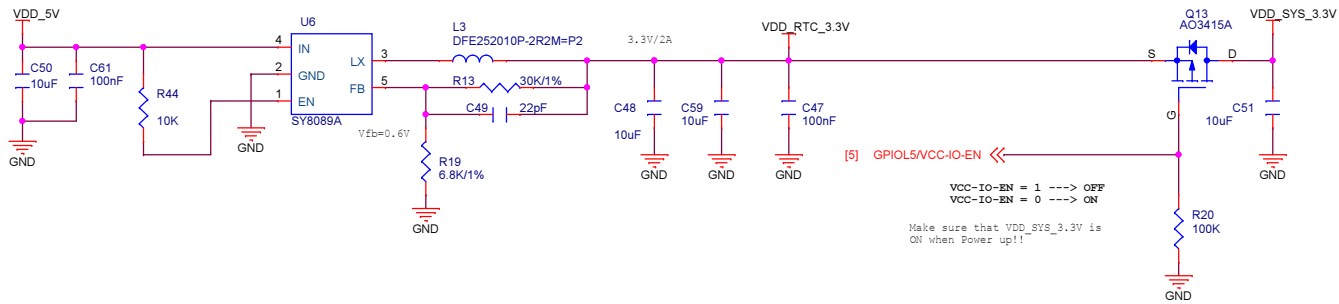
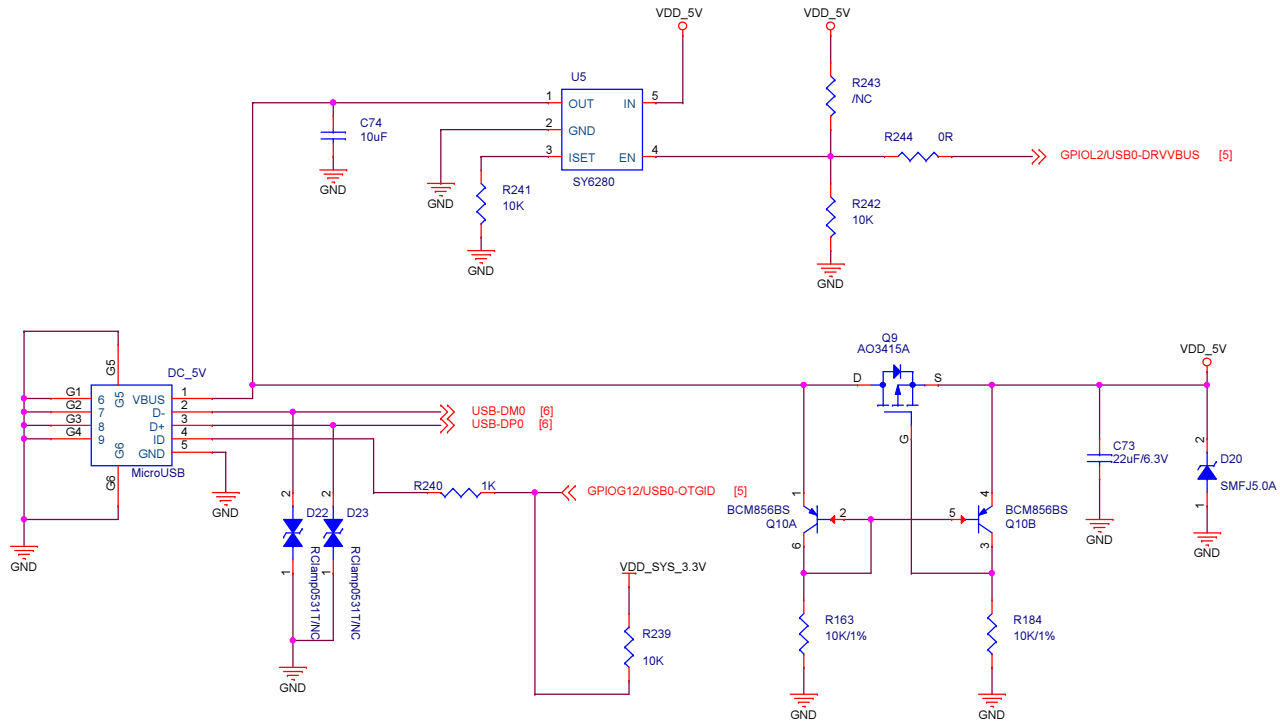
CPU 02



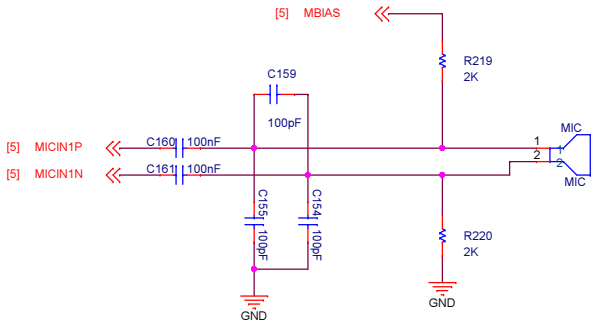
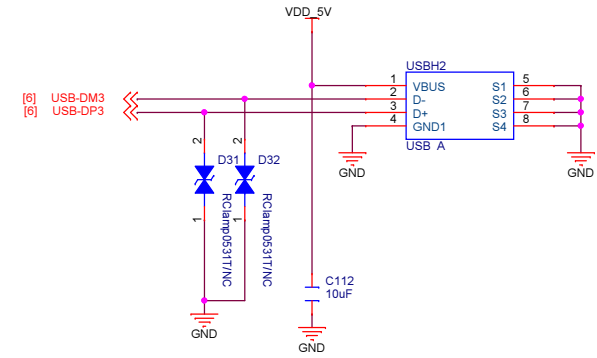
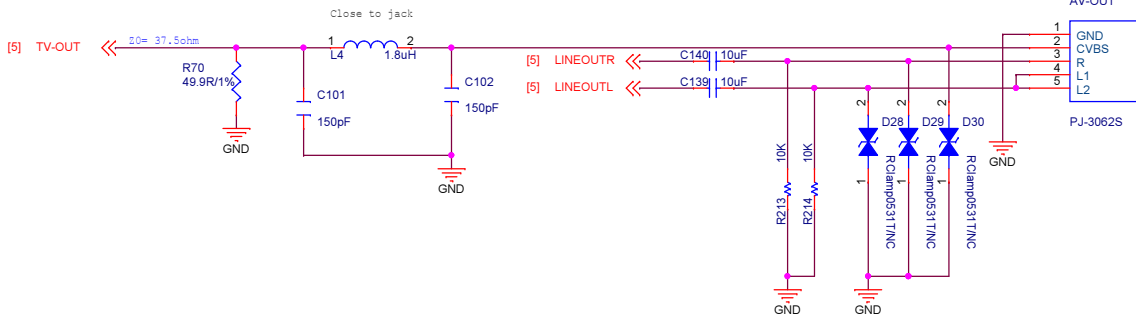
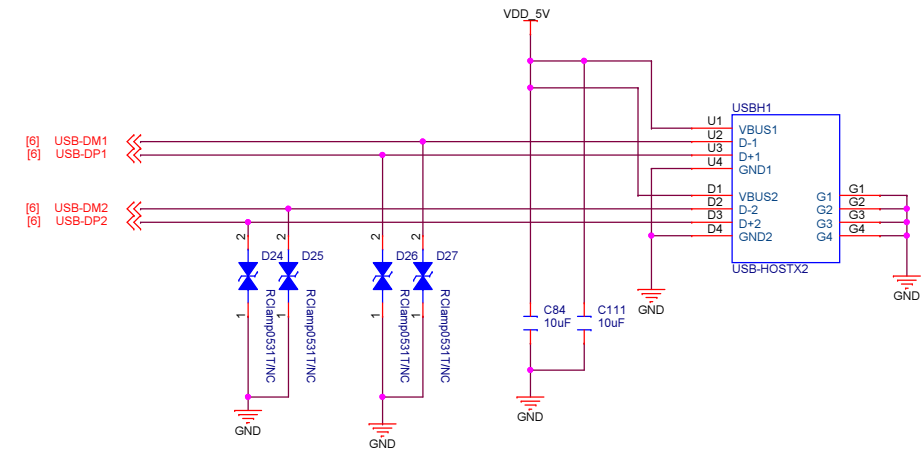
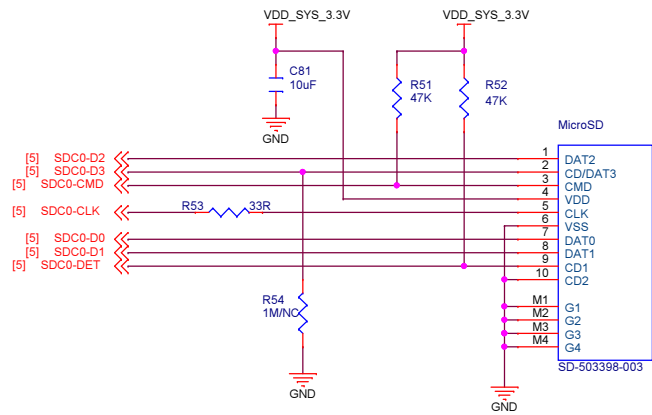
POWER 01



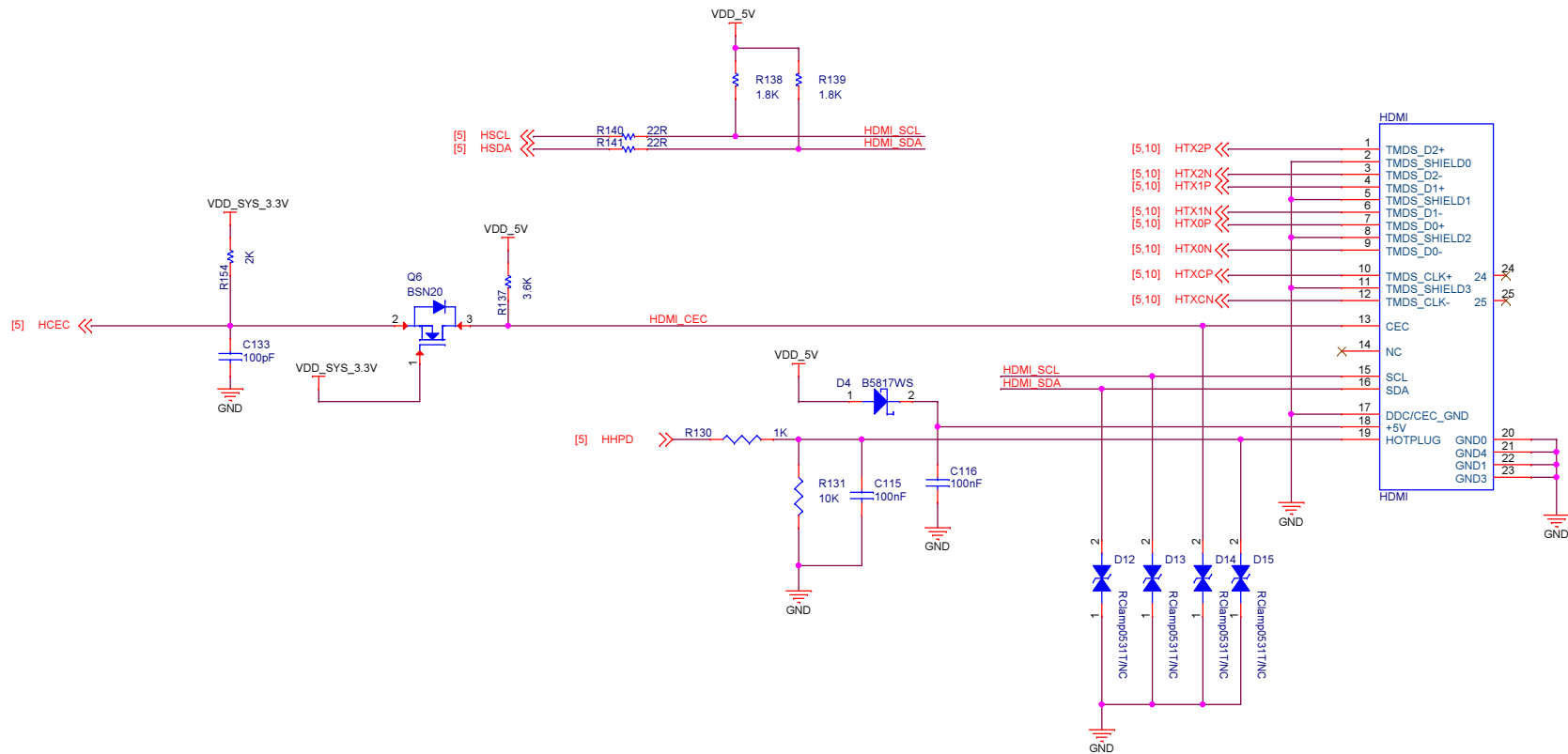
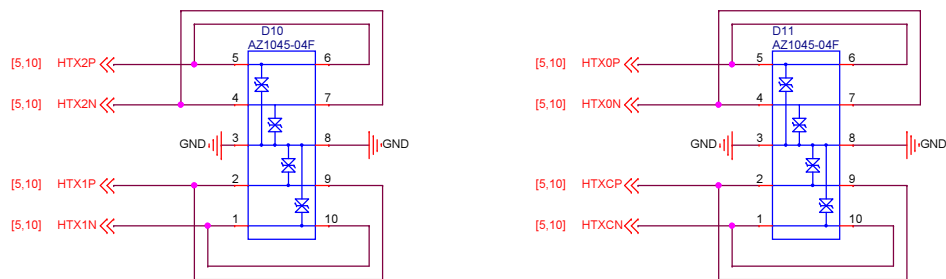
POWER 02



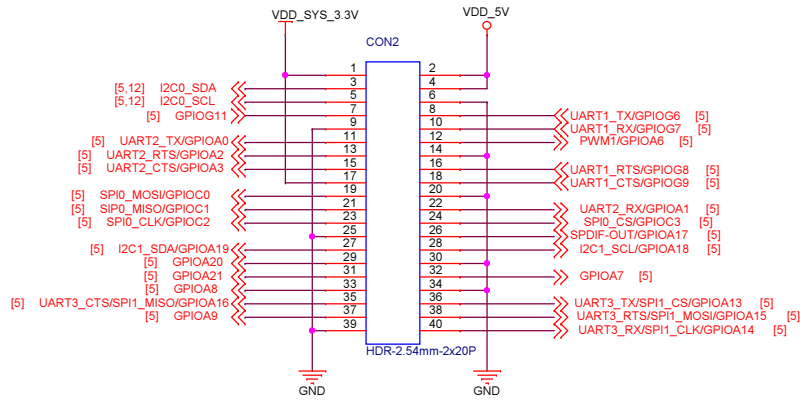
TF,USB Host, AV



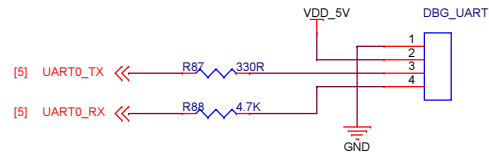
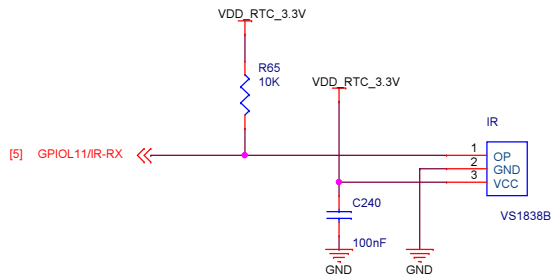
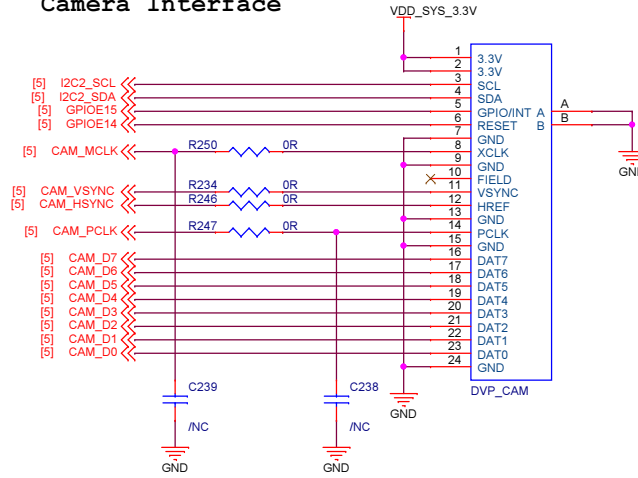
HDMI



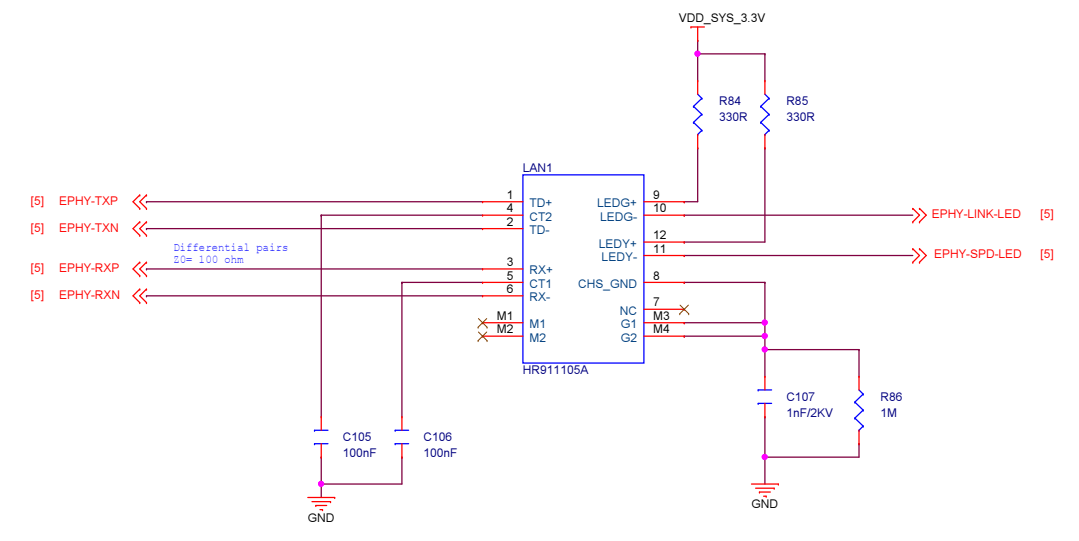
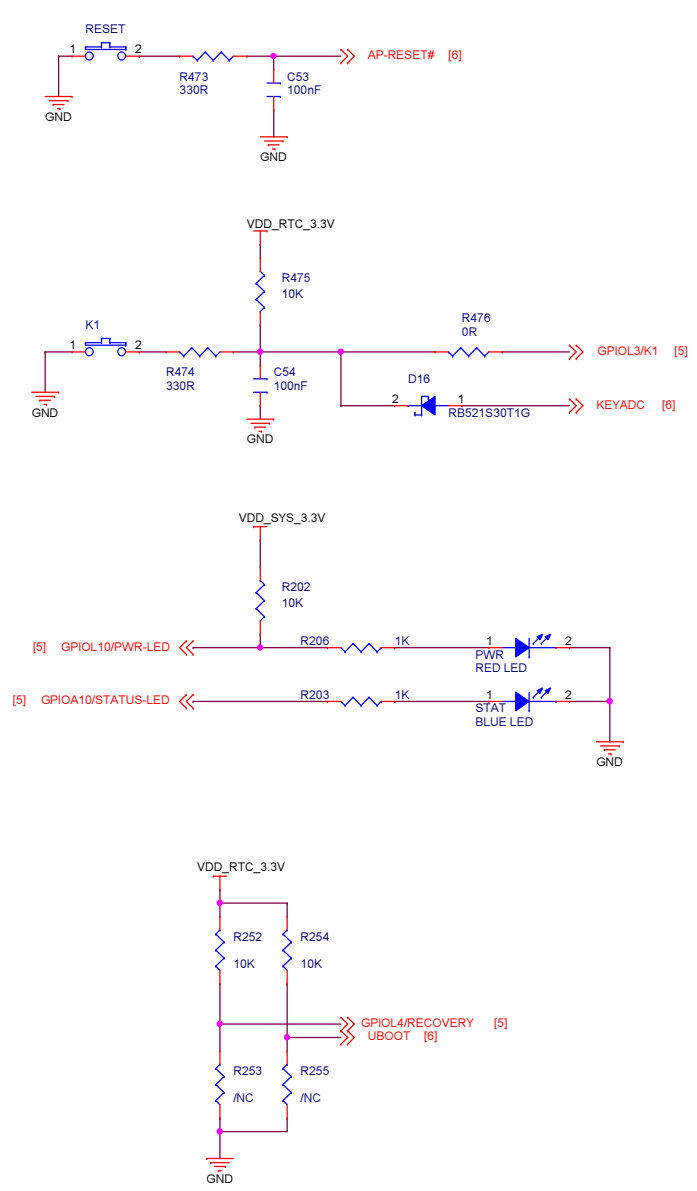
GPIO, CAM, IR



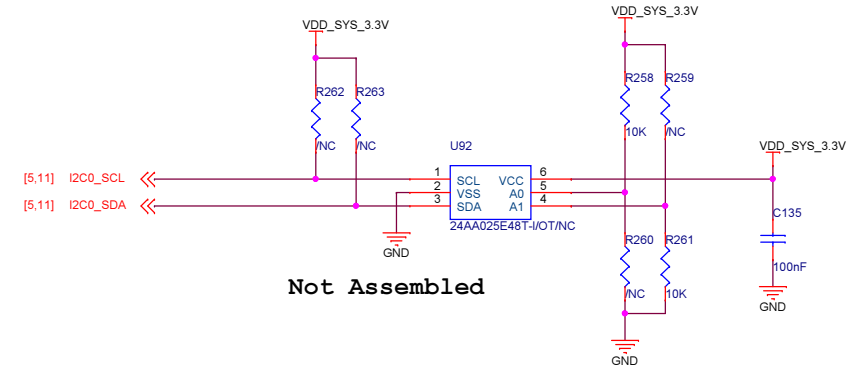
Camera Interface



LEDs, LAN, Keys



EEPROM with MAC Address



Not Assembled